

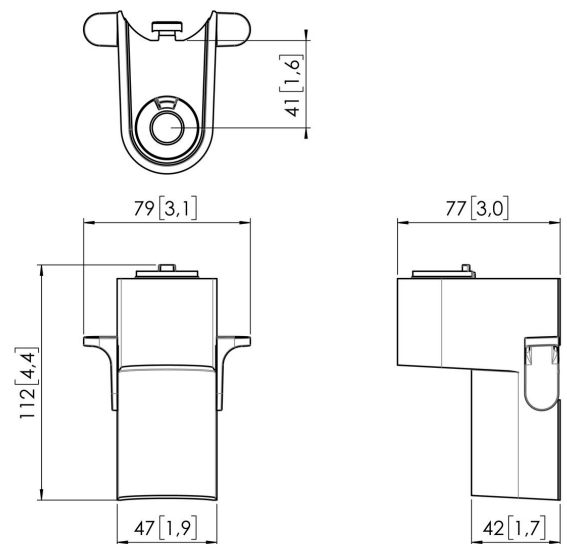


## MOMO C201 Pole Clamp Component, Motion (white)

### Key Benefits

- Height Adjustable
- Suitable for one, two or a whole series of monitors
- Easy to assemble without tools
- Flexible modular system
- TÜV certified / 10-year guarantee

Build your ideal monitor arm. The MOMO C201 Pole Clamp Component is part of MOMO Motion and Motion+. Specially designed for pole mounting. Endless possibilities. Create a multi-monitor set-up with just a few components. Including both straight and angled positions. MOMO monitor arm accessories and components are installed using just one allen (hex) key, cleverly integrated into the product. So you'll always have the right tool at hand.





## MOMO C201 Pole Clamp Component, Motion (white)

# Specifications

Article number (SKU)	7162011
Colour	White
EAN single box	8712285354168
Height	112
Width	79
Depth	77
TÜV certified	Yes
Guarantee	10 years
Rotation stop	True

VOGEL'S HOLDING BV (©)

All rights reserved.  
Subject to printing errors,  
technical and price  
amendments.

Date: 2023-06-16



**Vogel's.** For Sure.